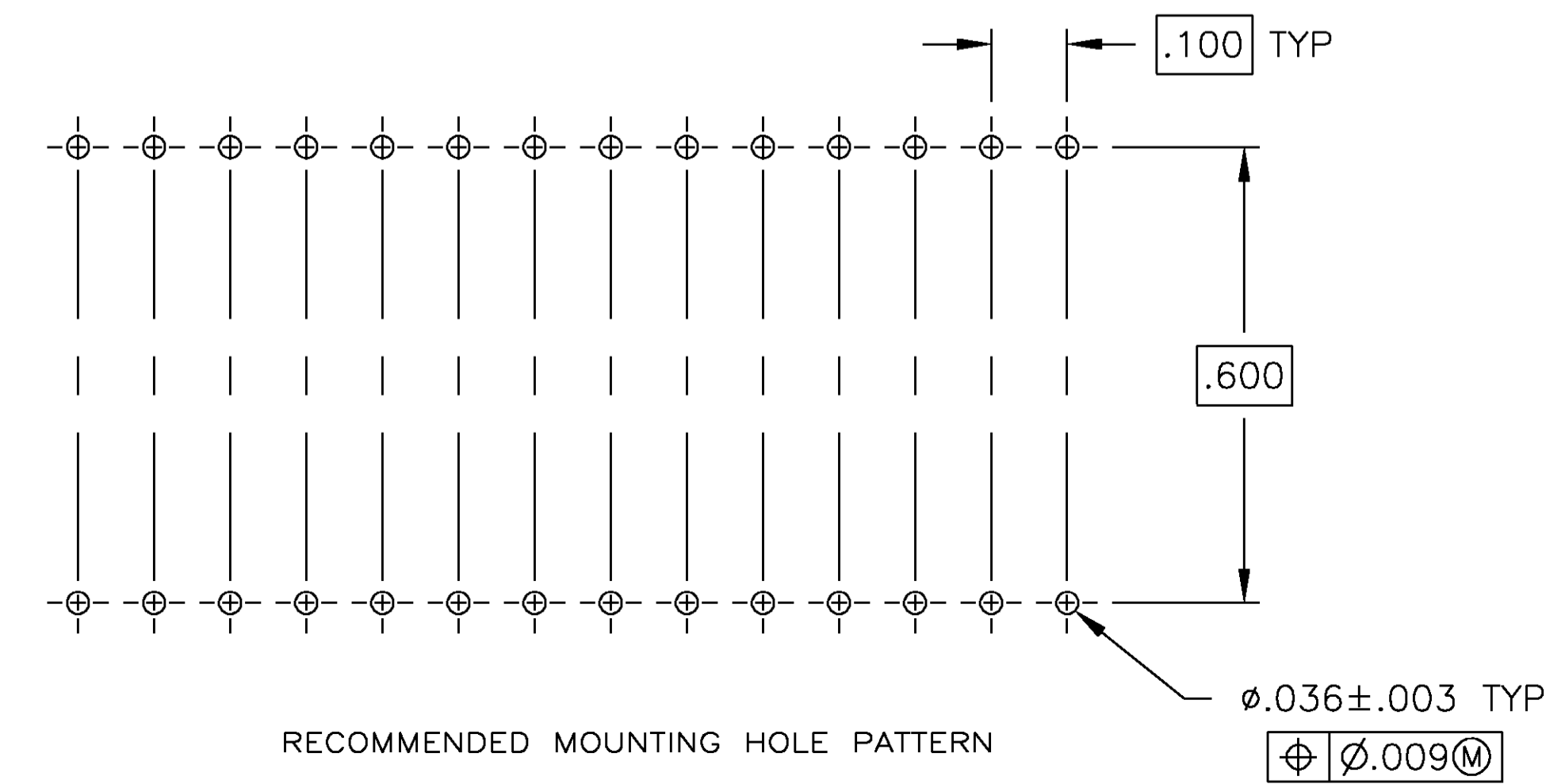
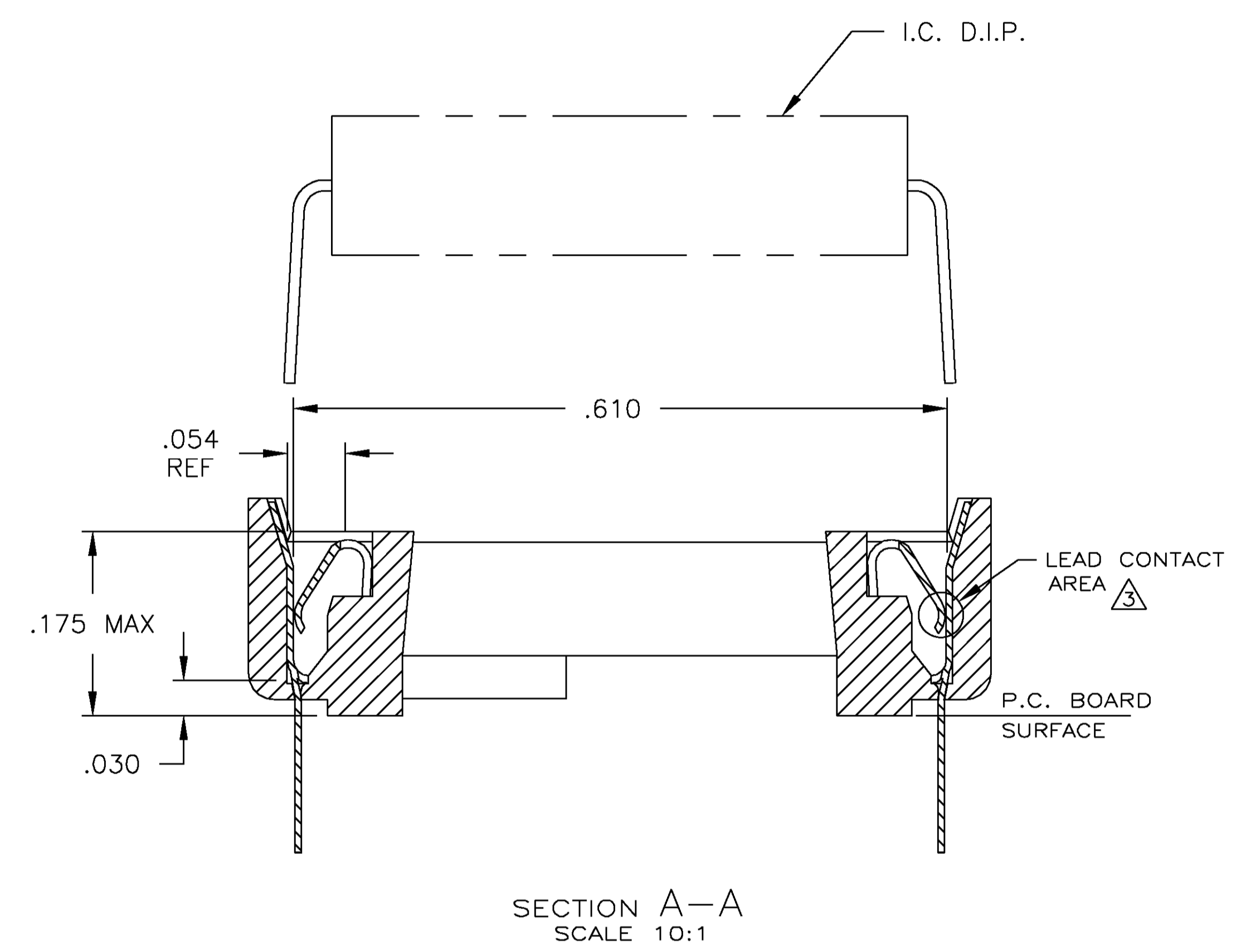
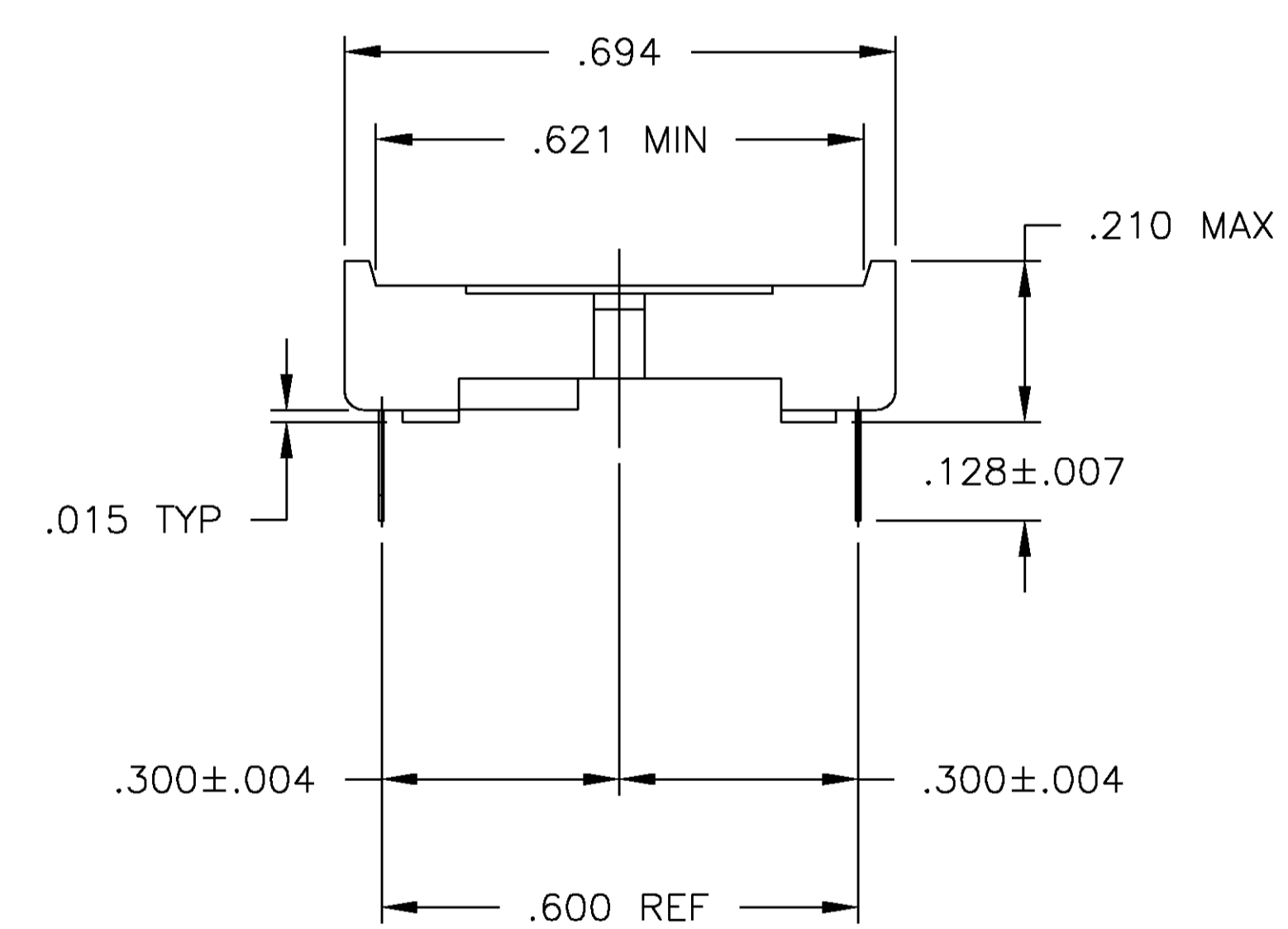
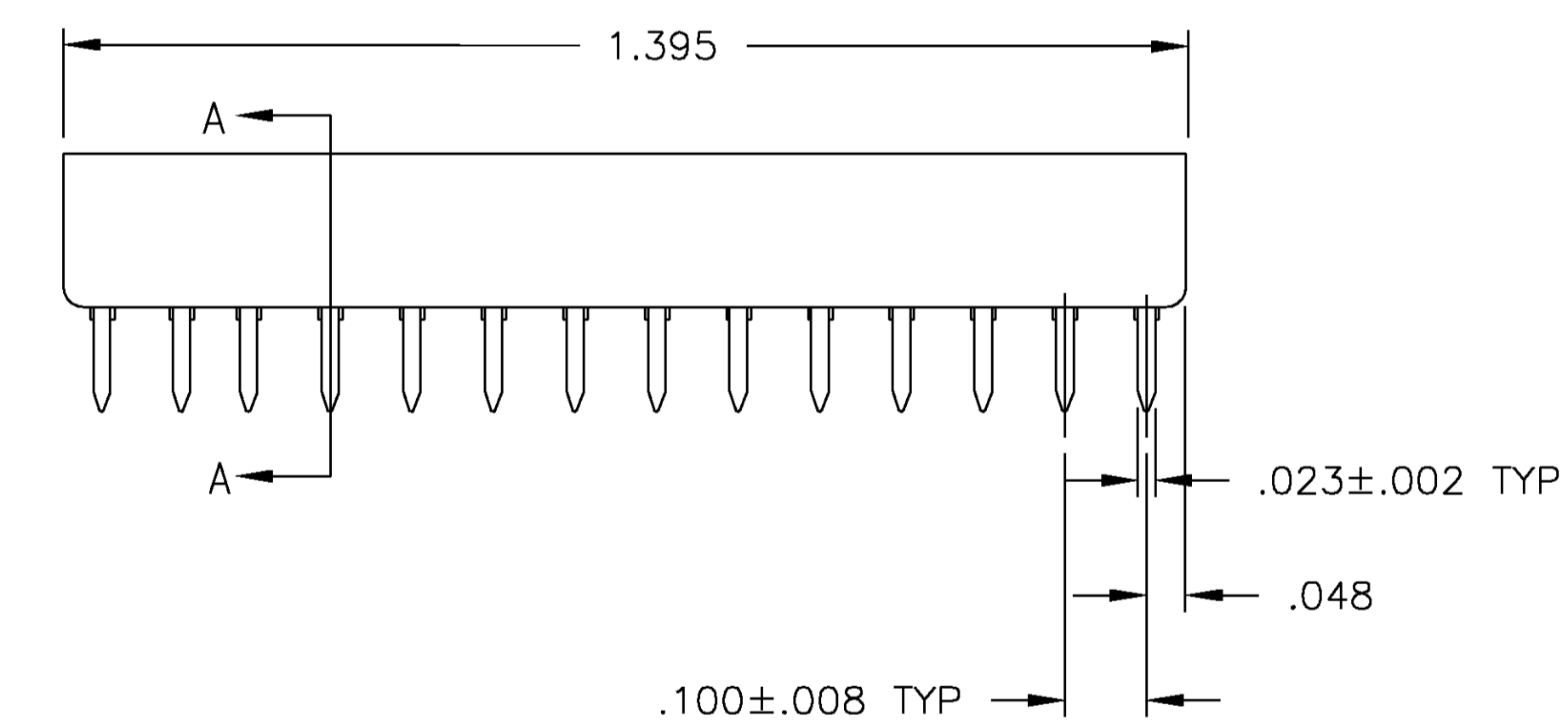
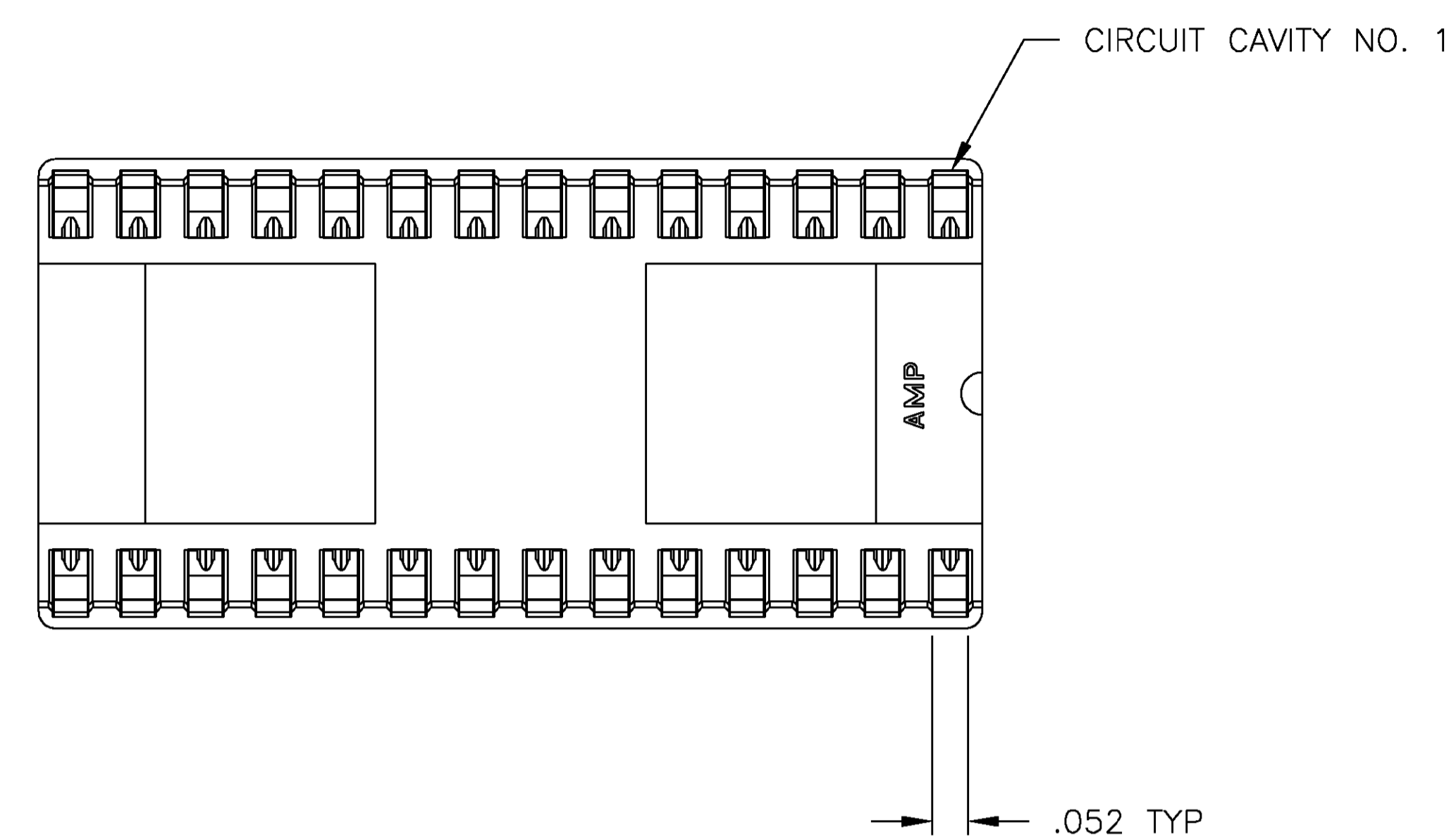


1. RECEPTACLE ACCEPTS A .008-.014 THICK I.C. LEAD.
2. TUBE LOADED.
3. TWO .000015 MIN THK. GOLD STRIPES IN CONTACT AREA WITH TIN-LEAD (93/7) ON SOLDER LEGS, BALANCE OF CONTACT NICKEL PLATED.



OBSELETE	3	PHOS. BRZ	BROWN GLASS-FILLED PCT	2-382467-4	
		TINNED	PHOS. BRZ	BROWN GLASS-FILLED PCT	2-382467-3
		TINNED	BE.CU.	BROWN GLASS-FILLED PCT	2-382467-1
		CONTACT FINISH	CONTACT MAT'L	HOUSING MATERIAL	PART NO.

THIS DRAWING IS A CONTROLLED DOCUMENT.		DRW: R BROWN	DATE: 04JAN01	Tyco Electronics Corporation	
DIMENSIONS: INCHES		CHK: H WYNKOOP	17NOV00	Harrisburg, PA 17105	
TOLERANCES UNLESS OTHERWISE SPECIFIED:		APVD: H WYNKOOP	17NOV00	NAME: SOCKET ASSY, DIP, HT, 28 POS, DIPLOMATE™ DL	
0 PLC	± -	PRODUCT SPEC	108-1066	APPLICATION SPEC	
1 PLC	± -	114-1052	114-1052	RESTRICTED TO	
2 PLC	± -			SCALE 5:1 SHEET 1 OF 1 REV G	
3 PLC	± .005				
4 PLC	± -				
ANGLES	± -				
MATERIAL SEE TABLE	FINISH SEE TABLE	WEIGHT -	A1 00779	CUSTOMER DRAWING	